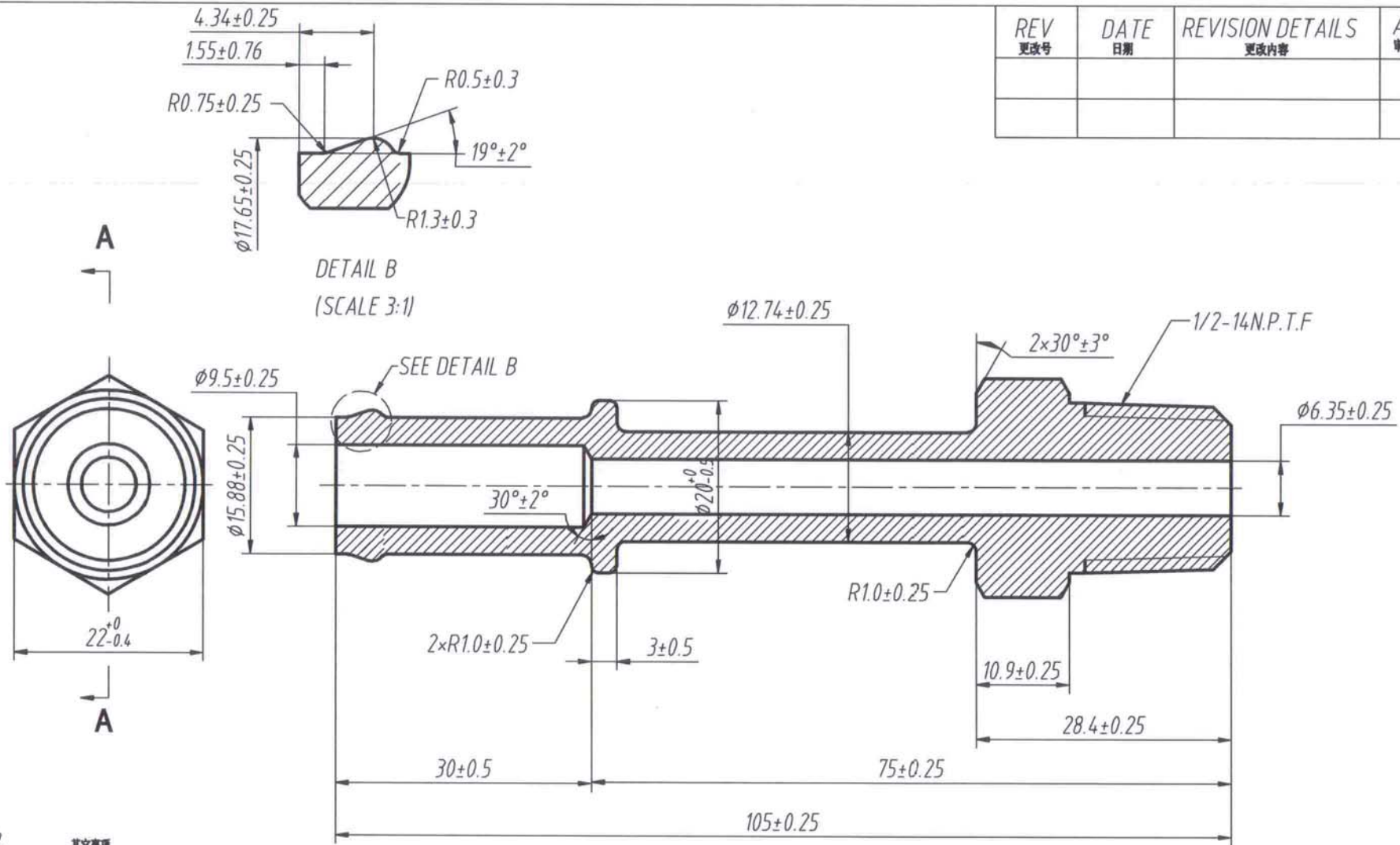


REV 更改号	DATE 日期	REVISION DETAILS 更改内容	APPD 审核并批准



UNLESS SPECIFIED  
ALL DIMENSIONS IN mm,  
MACHINED SURFACES Ra=3.2um,  
ANGLE TOLERANCES ±1°,  
Other tolerance except angles,  
in accordance with  
GB/T1804-2000/ISO2768-M and  
GB/T1184-1996/ISO 2768-2-M.  
The FS seal groove is made as  
per SAE H53, Groove style "B".

其它事项  
图示尺寸单位为mm,  
未注机加工表面粗糙度Ra=3.2um  
未注角度公差±1°  
其它未注公差（除角度外）均按：  
GB/T1804-2000 (ISO2768-M) 和  
GB/T1184-1996 (ISO2768-2-M)

### SECTION A-A

PART NO 零件名	41098-10-8NPTF-LT
SCALE NTS	APPD: Zhangjian 批准: Zhangjian DRN 制图: WAN QIU DATE: 07/07/15 日期: 07/07/15 审核: YB. ZHAN

MATERIAL	Chinese steel 45	材质: 45#
FINISH	Remove all sharp edges, burrs, Slivers and swarf, break all edges 0.127-0.254mm. Zinc Plated With Trivalent Chromate Passivation And No Red Corrosion In 96 Hours Salt Spray Test.	去除所有毛刺, 铁销等残留物, 锐边倒钝0.127-0.254MM 镀锌, 三价铬钝化, 银白色, 96小时盐雾试验无红斑。